

**GROVE**

KLIMAAANLAGE UNTERWAGEN  
AIR CONDITIONING PLANT CHASSIS FRAME

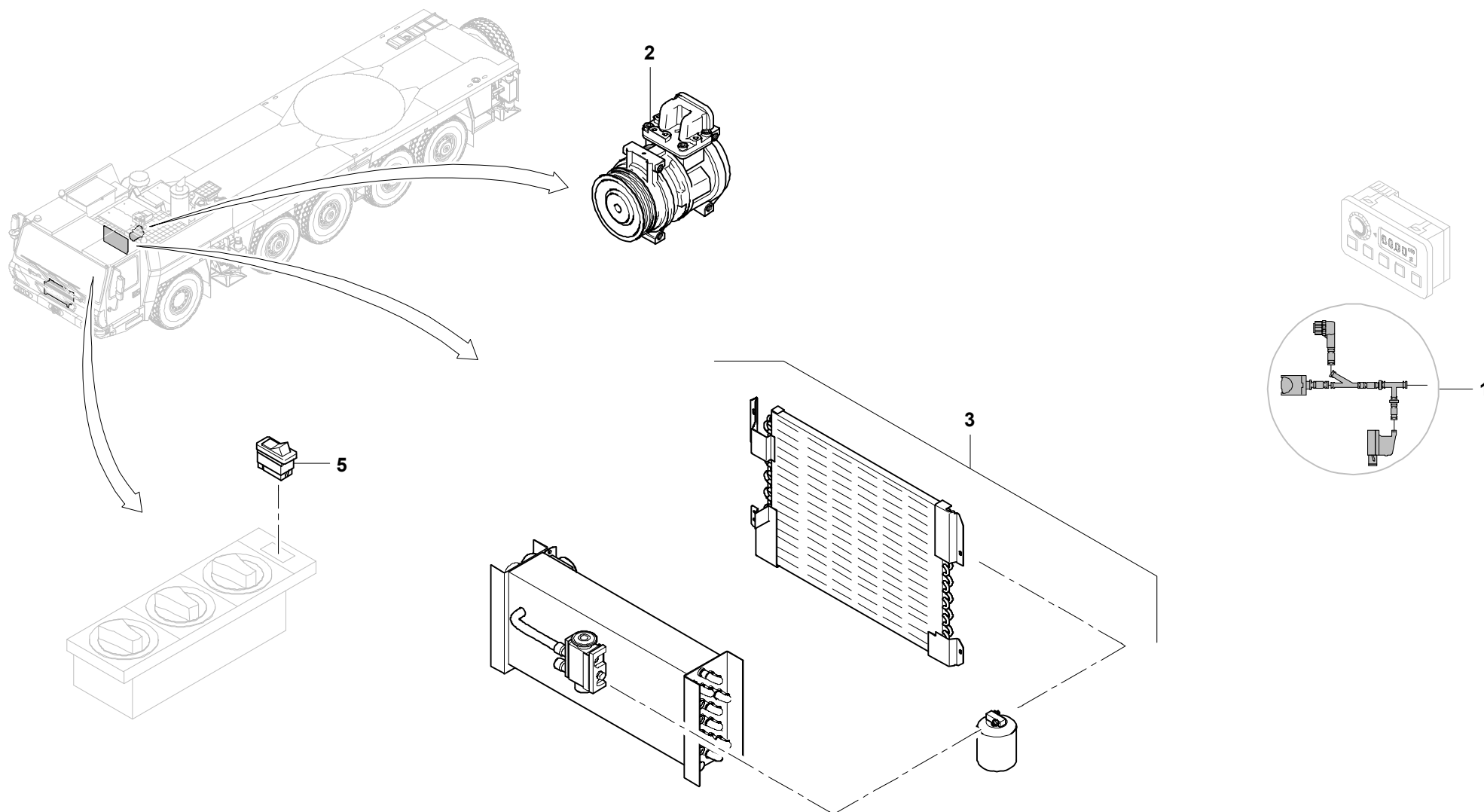
BILDТАFЕL  
PICTORIAL DISPLAY

**GMK 5220**  
**BE 753**  
**G 299**

01.09

**3177513-ETL #**

1/1



3177513-0-BL01-0109-522M